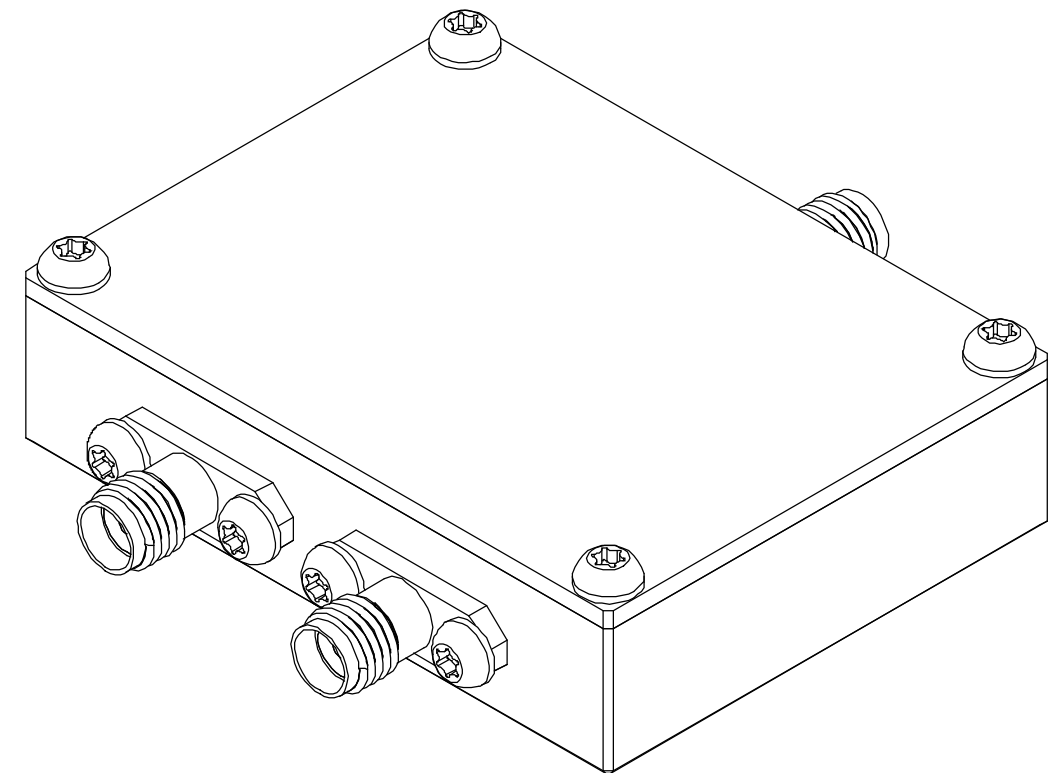


9971514-1 two-way splitter 2.4 GHz	
splitter type	Wilkinson
frequency band	2400-2485 MHz
insertion loss	0.27 dB (3.27 dB)
return loss (COM)	>21 dB (VSWR < 1.19)
return loss (1/2)	>25 dB
isolation (1-2)	>26 dB
weight	57 g
material	box precision milled alu 6082 screws A4-80
connectors	3 x SMA also available with fixed length LowLoss cables



Konstruerad av NG	Granskad av	Datum 2013-06-17	Ritningsnummer 9971514-1-1	Generell tolerans ±0.1	Generell yt-jämnhet, Ra	Vyplacering 	Skala 2:1
Ägare RADIOLAGET			Titel/Benämning two-way splitter 2.4 GHz		Material aluminium	Utgåva 1	Blad