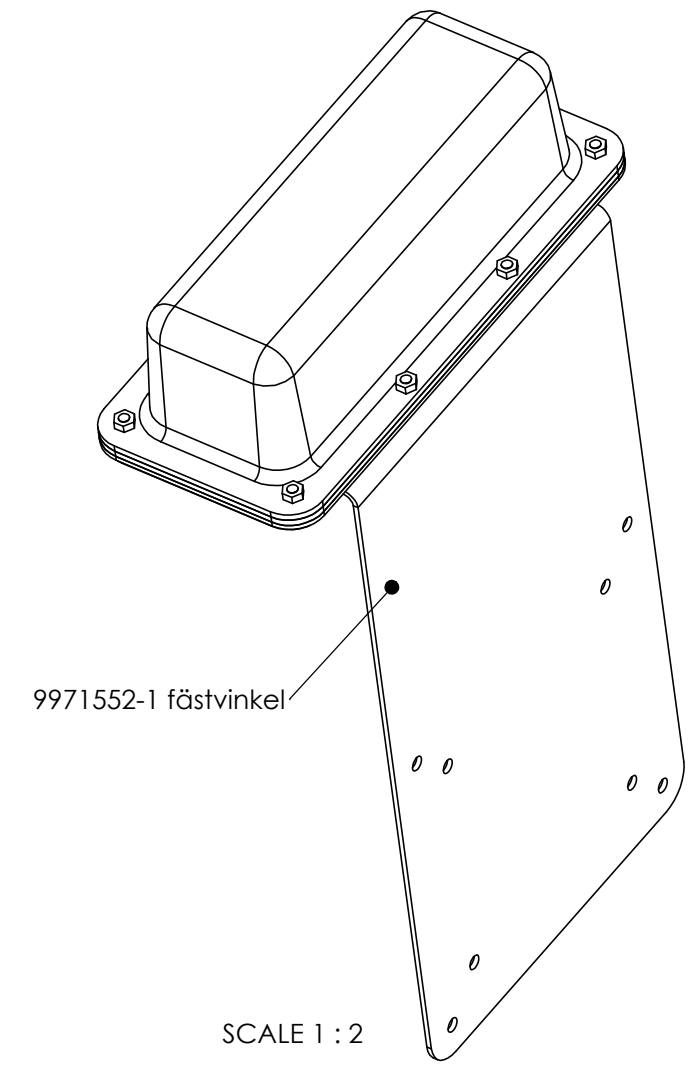
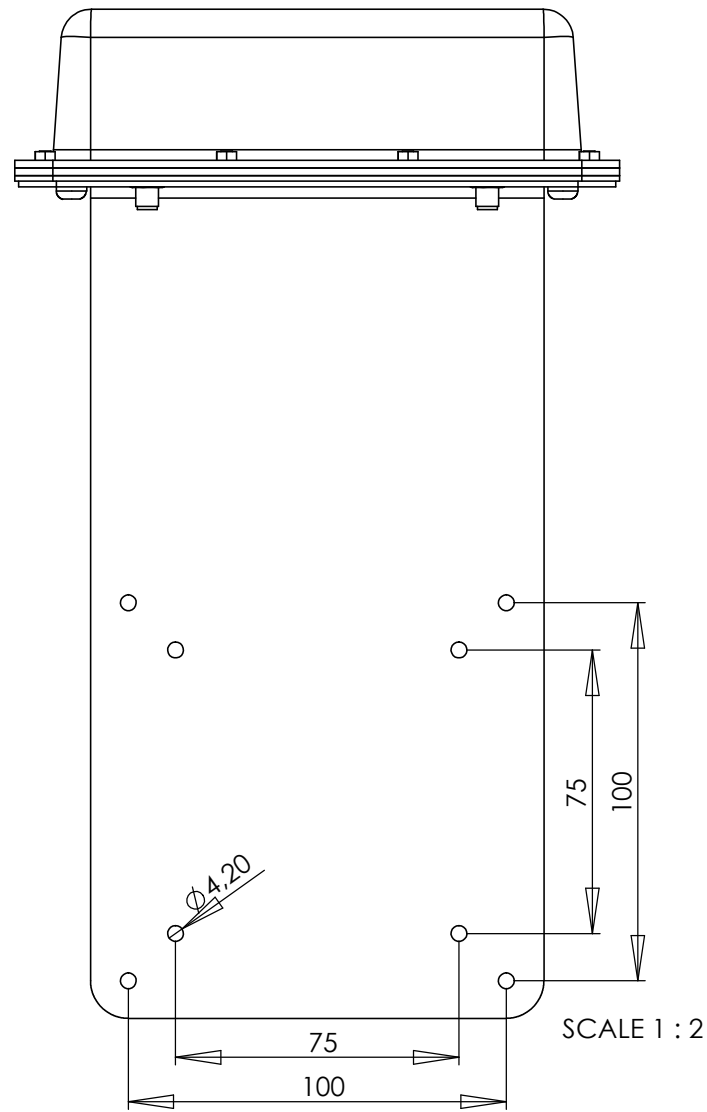


type	2-MIMO dual band omni antenna
artnr	9971035-1
freq	2400-2485 / 5150-5875 MHz
VSWR	< 1.5
gain	2 x 3 dBi @ 2.4 GHz 2 x 6 dBi @ 5 GHz
isolation	>20 dB @ 2.4 GHz, >25 dB @ 5 GHz
polarization	vertical
az HPBW	2 x 360° (beam forming dependant)
el HPBW	see radiation pattern
connectors	2 x SMA female
radome	light gray ABS RAL 7035
weight	200 g
mount	4 x M4
application	Dual band omnidirectional antenna with two antenna elements for 2-MIMO. Antenna elements are wideband and optimized for 2.4 and 5 GHz WLAN applications.



Konstruerad av NG	Granskad av	Datum 2015-06-10	Ritningsnummer 9971035-1-2	Generell tolerans ± 0.1	Generell yt-jämnhet, Ra	Vyplacering 	Skala 1:1	
Ägare RADIOLAGET			Titel/Benämning 2-MIMO Dual Band Omni				Utgåva 1	Blad