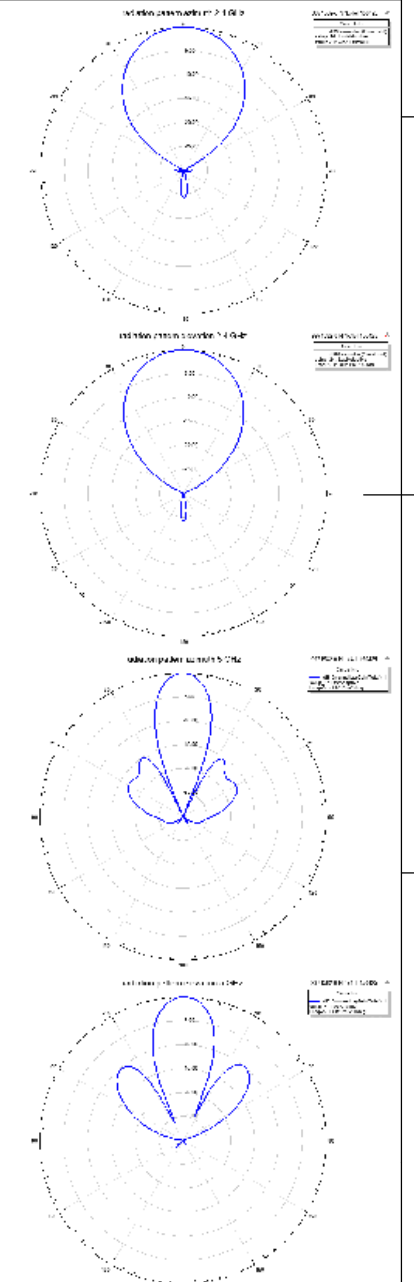
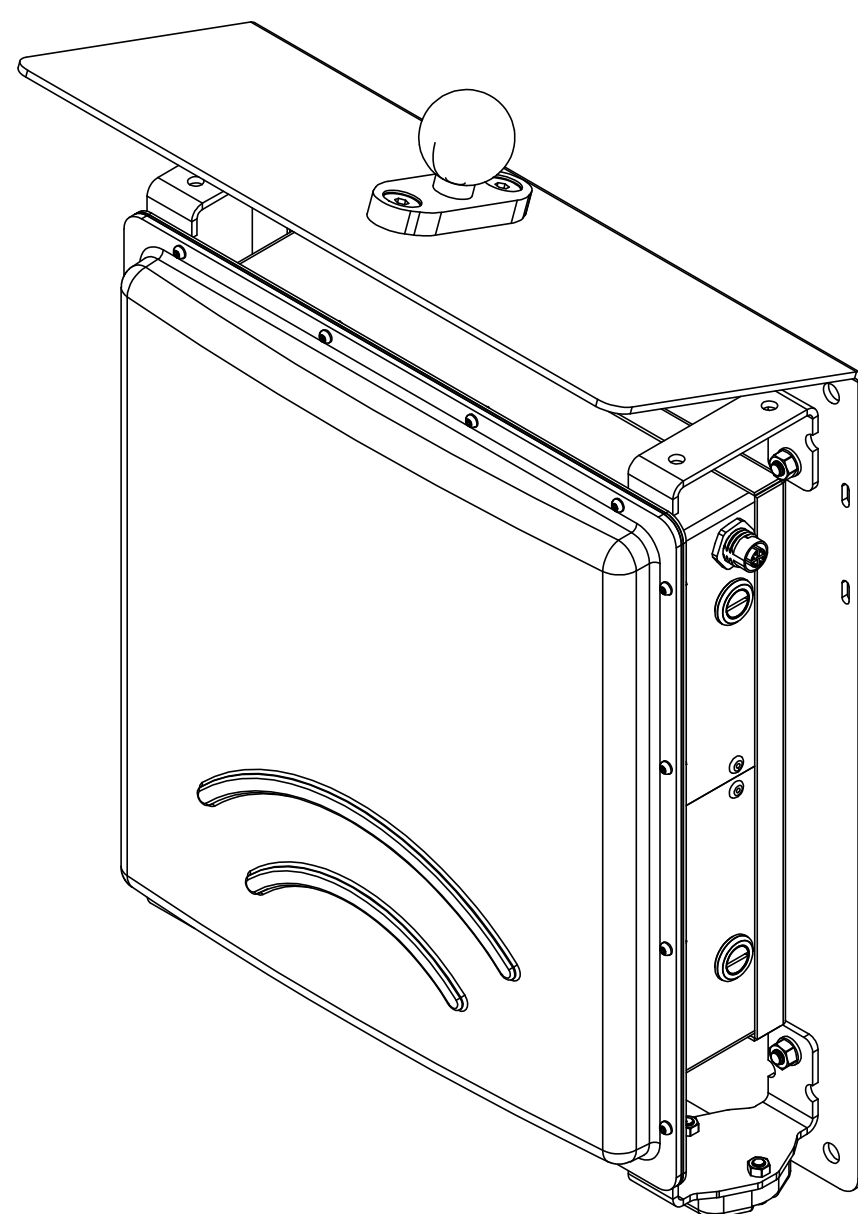


type	4-MIMO Dual Band 2x2 element single panel antenna
artnr	9971030-5
freq	2400-2485 / 5150-5875 MHz
VSWR	< 1.5
gain	4 x 12 dBi @ 2.4 GHz, 4 x 16 dBi @ 5 GHz
polarization	vertical
az/el HPBW	45° @ 2.4 GHz, 25° @ 5 GHz (plus beam forming)
connectors	4 pcs cables Low Loss SMA / RP-TNC male
radome	light gray ABS RAL 7035
weight	4 kg (prel)
mount (opt)	wall, tube or pendulum, mounting plate
application	Casing on rear for Cisco 3702E. Cable feedthrough M16 for Cat6 as standard, connector optional, eg M12 4/8-pole.



Konstruerad av NG	Granskad av	Datum 2015-08-11	Ritningsnummer 9971030-5-1	Generell tolerans ±0.1	Generell ytjämnhet, Ra	Vyplacering	Skala 1:3
Ägare			Titel/Benämning 4-MIMO Dual Band 2x2 el, single panel		Material		
RADIOLAGET					Utgåva 1		Blad