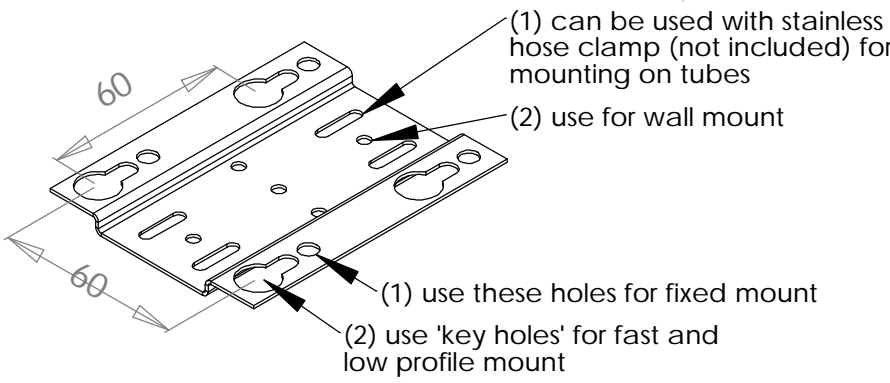
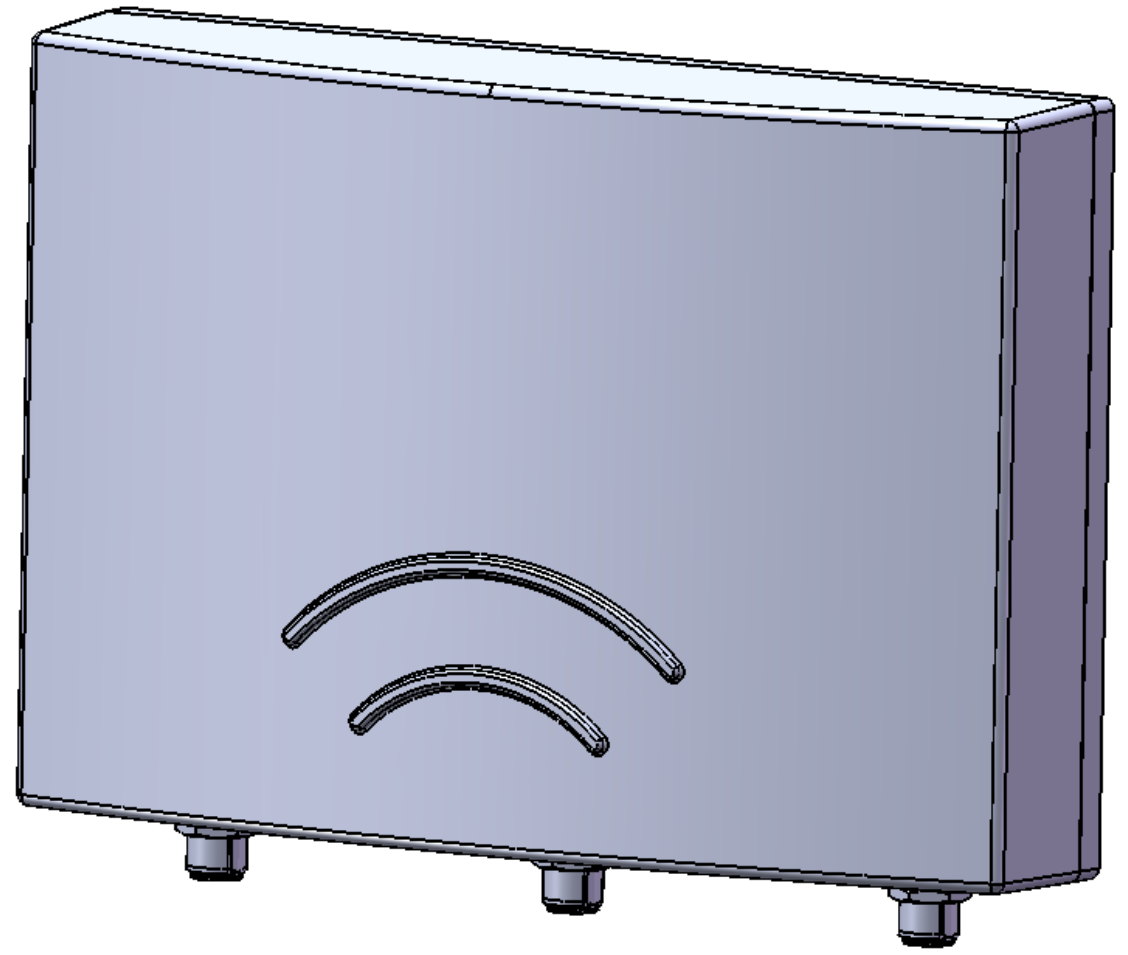
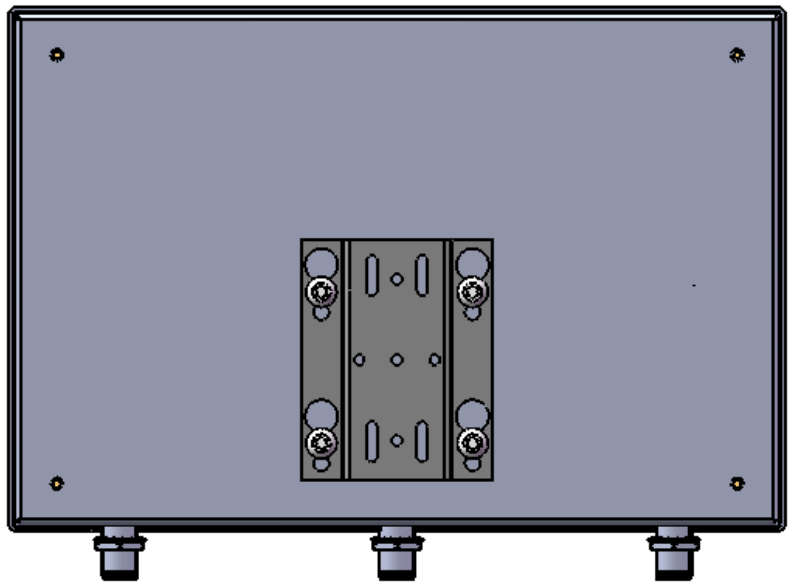
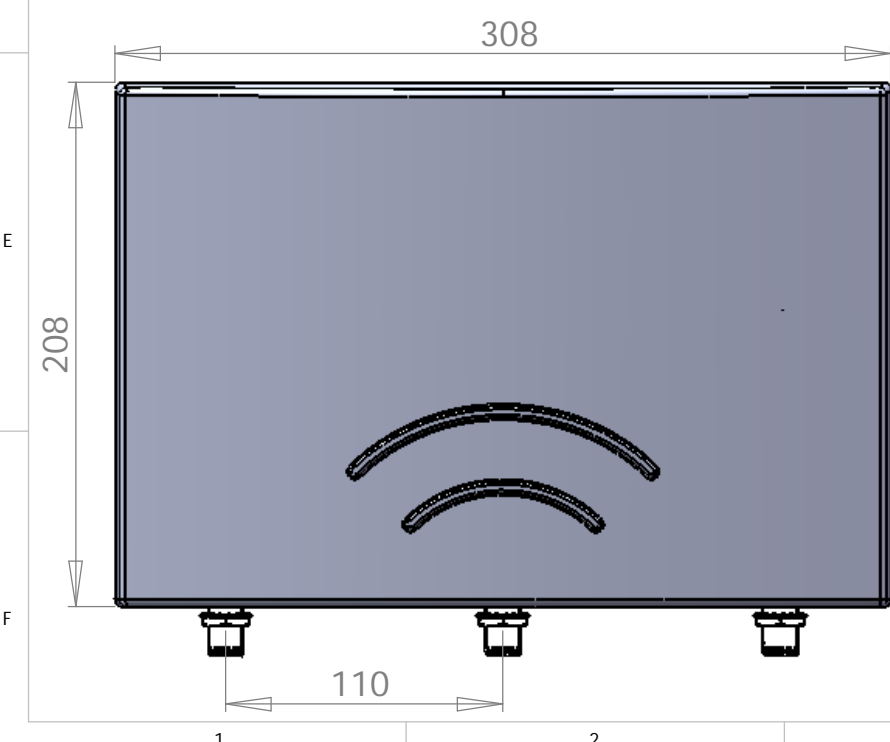
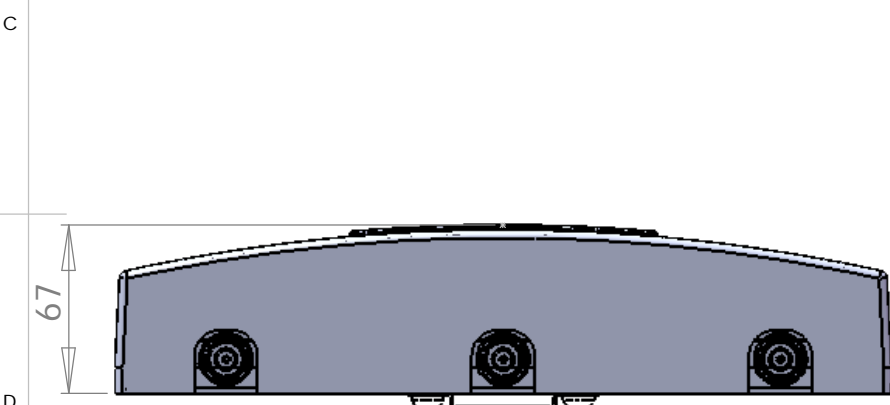
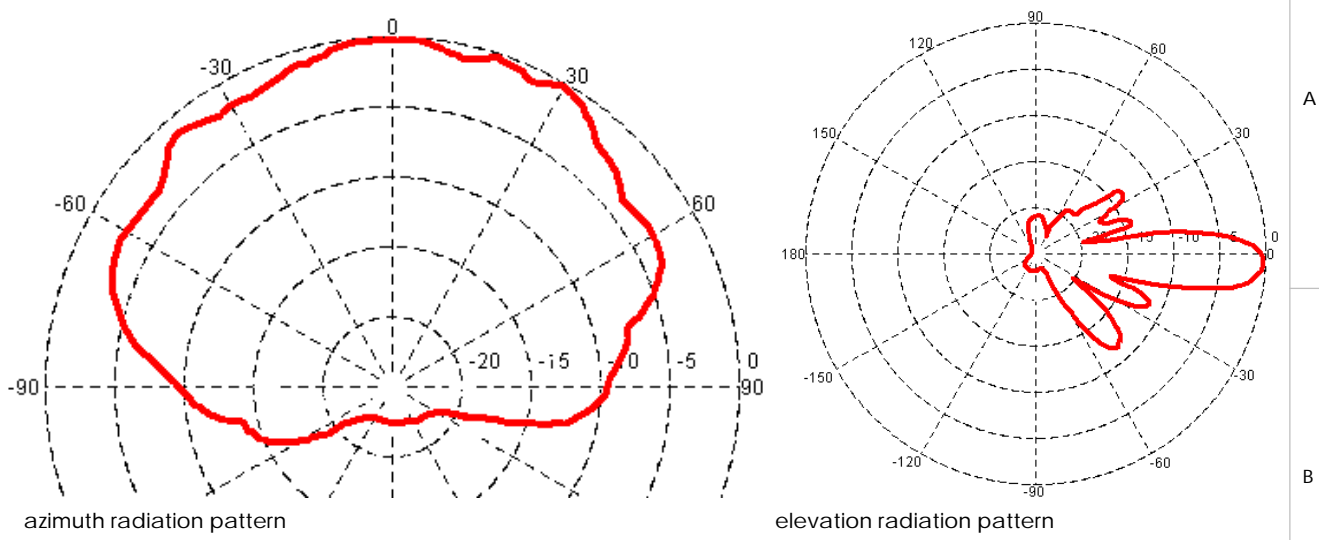


type	MIMO 3 x 180° panel antenna
artnr	9971024-1
freq	5150-5875 MHz
VSWR	< 1.5
gain	3 x 11 dBi
polarization	vertical
az	3 x 180°
el	3 x 15°
connectors	3 x N chassi female
radome	light gray ABS RAL 7035
weight	985 g net
mount	stainless bracket for wall or tube
application	Access point antenna for IEEE 802.11n systems. Mount on wall or tube. Use outer antenna elements for 2xTX and all three antennas for RX in 2x3 MIMO systems. Tested with Cisco 1252AG / 1262N, Proxim AP800, Linux. Can also be used as a diversity antenna for IEEE 802.11a systems. Indoor and outdoor use.



Standard mounting bracket can be used for wall or tube mount. Or use any mount with 60 mm square hole pattern. Bolts M6x10 TX25 (4 pcs) included.



Konstruerad av NG	Granskad av	Datum 2010-05-26	Ritningsnummer 9971024-1	Generell tolerans	Generell yt-jämnhet, Ra	Vyplacering	Skala
Ägare RADIOBOLAGET			Titel/Benämning MIMO 3x180° panel antenna 5 GHz		Material radome ABS, reflector alu	Utgåva 1	Blad