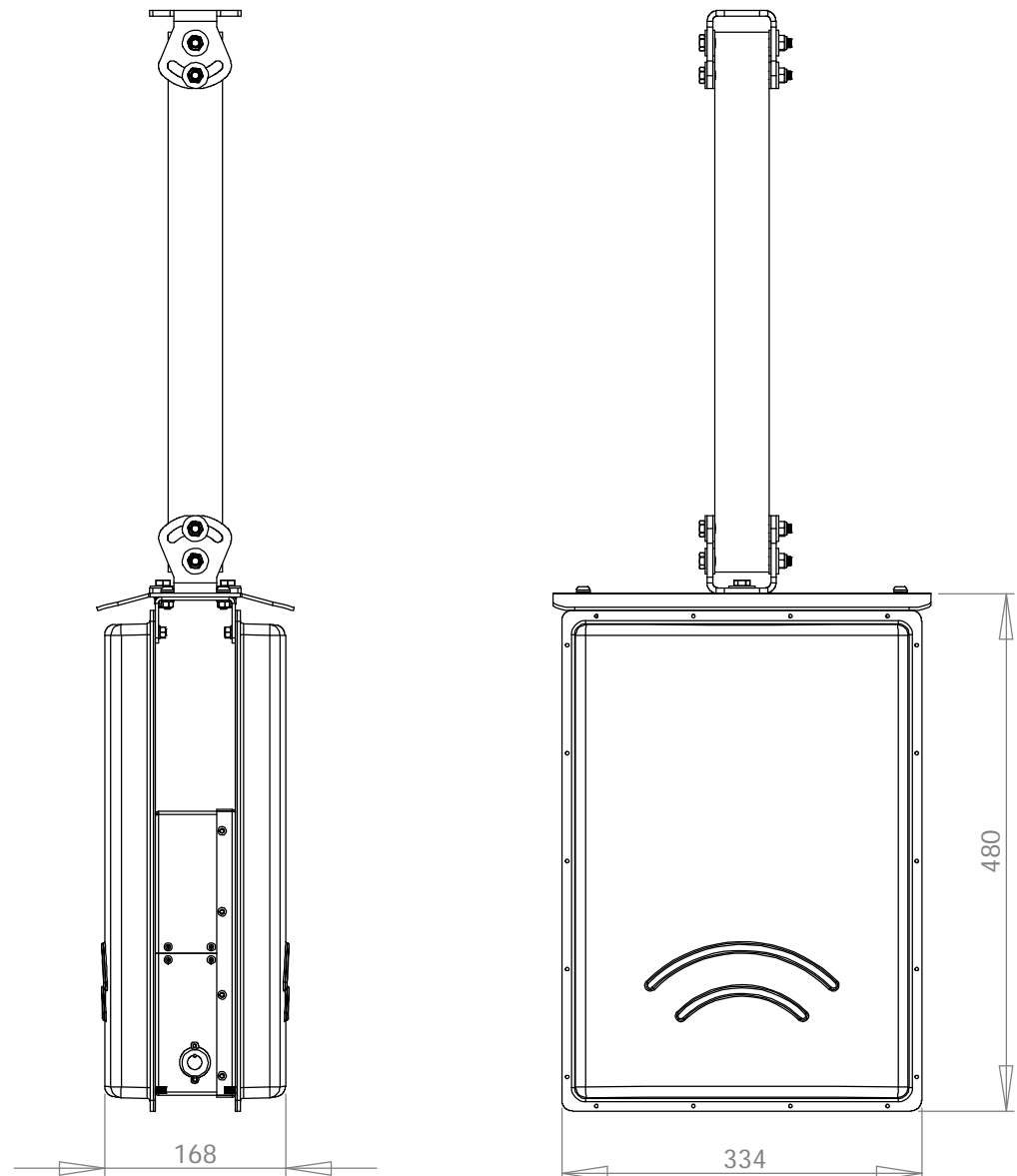
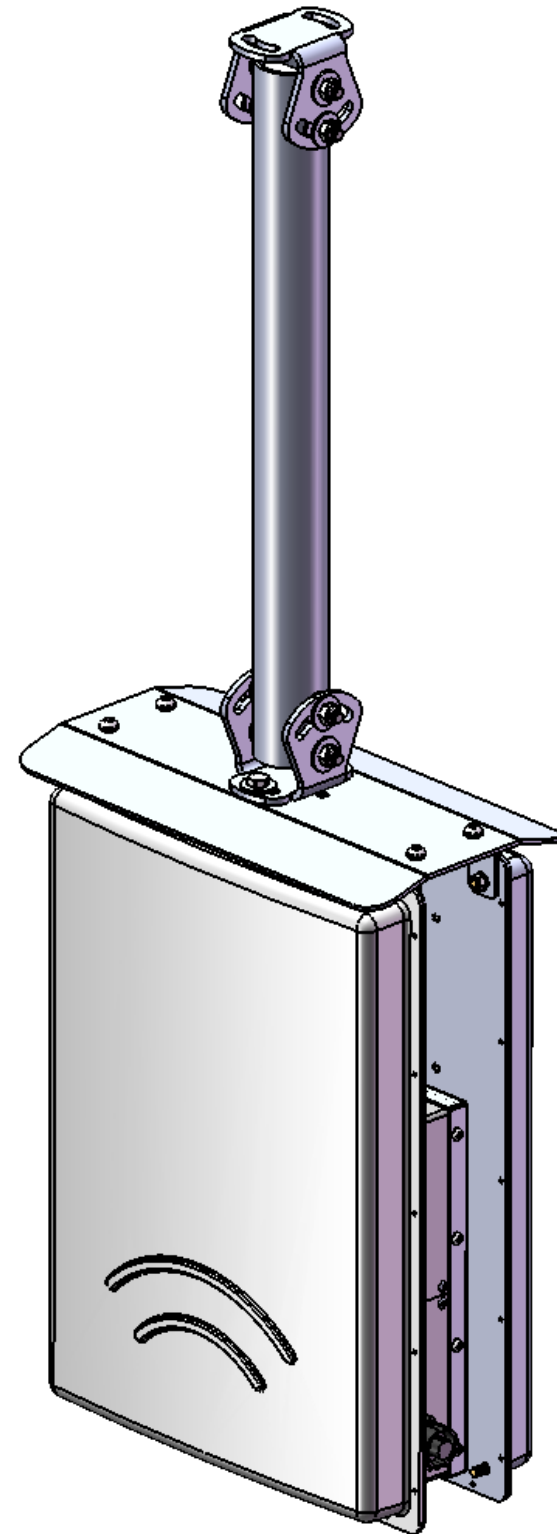


type	High Gain MIMO panel antenna
artnr	9971023-4
freq	2400-2485
VSWR	< 1.2
gain	3 x 11 dBi @ 2.4 GHz
polarization	vertical
az HPBW	3 x 60°
el HPBW	3 x 15°
connectors	3+3 x SMA chassi female
radome	light gray ABS RAL 7035
weight	
mount	ceiling mount
application	High Gain 2.4 GHz panel antenna for IEEE 802.11n system access points. For use in eg tunnels. Back-to-back elements are fed using power splitters for 'figure eight' pattern. Casing is designed for Cisco 1262N. Power using Poe injector Cat6 cable feedthru or connector. Ceiling or wall mount pendulum can be adjusted $\pm 45^\circ$ . Pendulum length 500 mm, other lengths or telescopic on request.



Konstruerad av <b>NG</b>	Granskad av	Datum 2011-02-14	Ritningsnummer 9971023-4	Generell tolerans 0.1	Generell yt-jämnhet, Ra	Vyplacering	Skala
Ägare <b>RADIOLAGET</b>			Titel/Benämning High Gain MIMO Dual Panel Antenna		Material radome ABS, reflector alu		Utgåva 1